

DS-VW795-QR



Display size  
**65"-98"**



Max load  
**225lb (102kg)**



**SMARTMOUNT.**

# Full Service Video Wall Mount with Quick Release

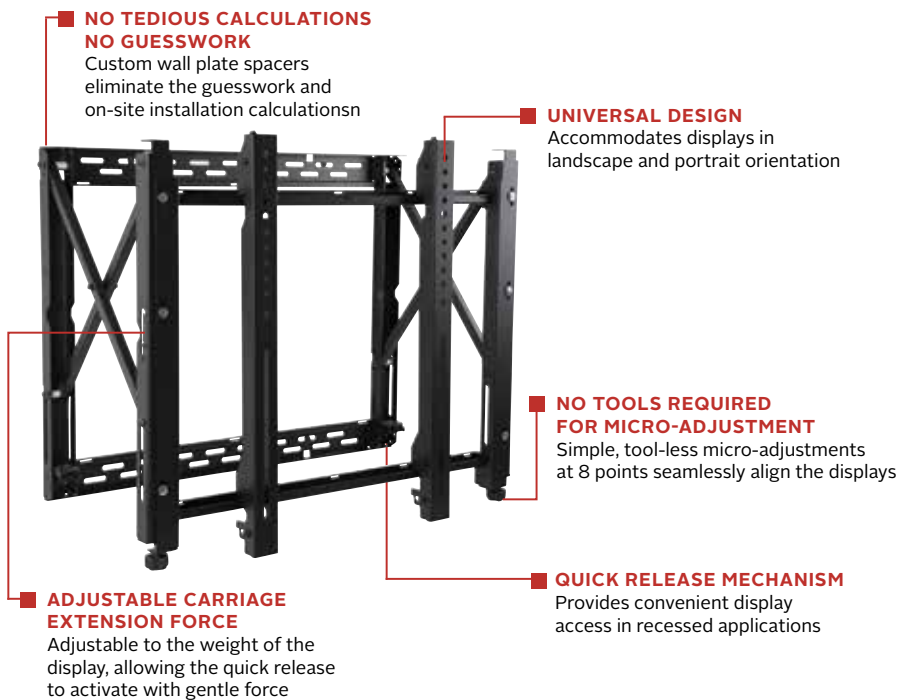
FOR 65" TO 98" DISPLAYS

The DS-VW795-QR full service video wall mount with quick release offers an easy to install and service solution for both landscape and portrait large format displays. Designed for quick service access in recessed video wall applications, the DS-VW795-QR provides versatility demanded by today's integrator. With the quick-release functionality, users have the ability to articulate the display from the wall by gently pressing on the front of the display. Featuring tool-less micro-adjustment at eight points, the mounts can overcome uneven walls to create a seamless video wall display. In addition, custom wall plate spacers eliminating the guesswork and on-site installation calculations and measurement reducing installation time and cost. With no-tool-required micro-adjustments and easy-access to any display for quick serviceability, it's the ultimate video wall mounting solution.

*The DS-VW795-QR's pop out mechanism provides easy-access and quick serviceability, so you can achieve a seamless video wall in no time.*

## Additional Features

- ✓ Quick release pop out mechanism provides convenient display access in recessed applications
- ✓ Quick release can be disabled with a locking screw to prevent unintentional pop outs
- ✓ Carriage extension force can be adjusted to accommodate the weight of the display, allowing the quick release to activate with gentle force
- ✓ Tool-less micro-adjustments at 8 points allows the mount to overcome uneven walls to create a seamless video wall display
- ✓ Accommodates displays in landscape and portrait orientation
- ✓ Reusable custom wall plate spacers eliminate the guesswork and on-site installation calculations
- ✓ Modular mount for unlimited video wall display configurations
- ✓ Integrated cable management tie-backs make display-to-display cabling simple



Full service access



Tool-less micro-adjustments



Wall plate spacers (sold separately)



Eliminate the guesswork during installation with the Peerless-AV® Video Wall Locator app.



## Model Numbers

**WARRANTY: Limited 5-year**

**DS-VW795-QR** SmartMount® Full Service Video Wall Mount with Quick Release for 65" - 98" Displays

## Product Specifications

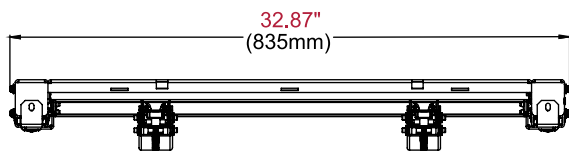
	DIMENSIONS (W X H X D)	PRODUCT WEIGHT	LOAD CAPACITY	FINISH	AVAILABLE COLORS
<b>DS-VW795-QR</b>	32.87" x 27.58" x 4.09" (835 x 700 x 93-104mm)	40lb (18.1kg)	225lb (102kg)	Textured	Black

## Package Specifications

	PACKAGE SIZE (W x H x D)	PACKAGE SHIP WEIGHT	PACKAGE UPC CODE	PACKAGE CONTENTS	UNITS IN PACKAGE
<b>DS-VW795-QR</b>	34.75" x 28.25" x 3.50" (883 x 718 x 89mm)	43lb (19.5kg)	735029301455	Wall mount assembly, mounting attachment rails, fasteners	1

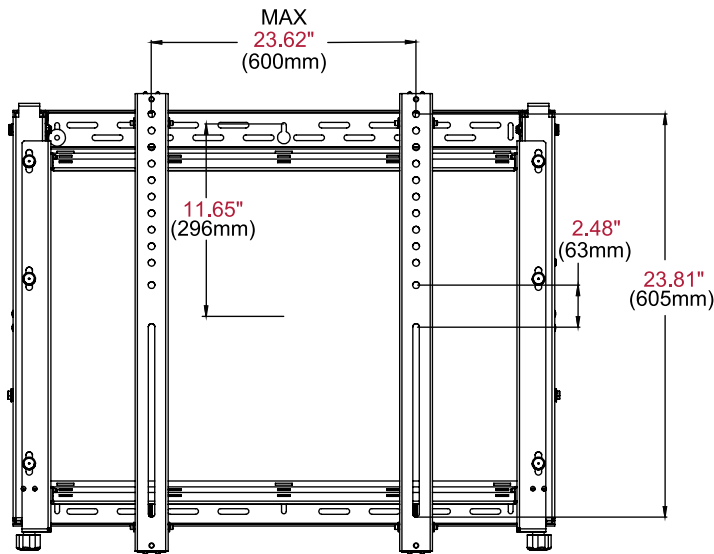
## Accessories

**ACC-V800X:** Adaptor for VESA® 800 x 400mm mounting patterns  
**DS-ACC770:** Media Player Mounting Bracket

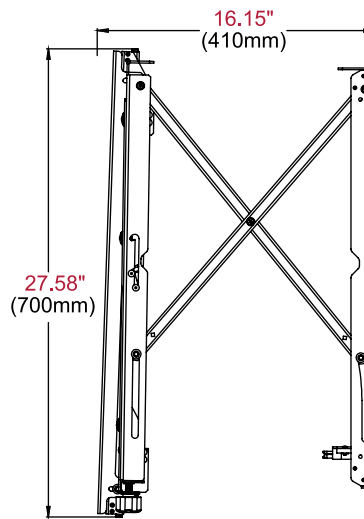


**TOP VIEW**

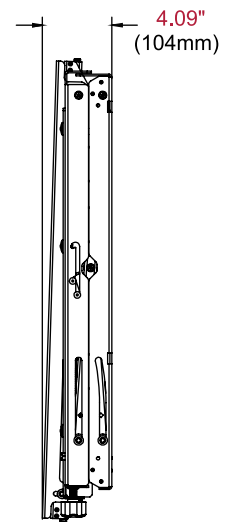
All dimensions = inch (mm)



**FRONT VIEW**



**SIDE VIEW EXTENDED**



**SIDE VIEW COLLAPSED**

## Architect Specifications

The Smartmount® Full Service Video Wall Mount with Quick Release shall be a Peerless-AV model DS-VW795-QR and shall be located where indicated on the plans. Assembly and installation shall be done according to instructions provided by the manufacturer.

Visit [peerless-av.com](http://peerless-av.com) to see the complete line of AV solutions from Peerless-AV, including outdoor displays, wireless, kiosks, digital audio, display mounts, projector mounts, carts/stands, and a full assortment of accessories.

**Peerless-AV**  
 2300 White Oak Circle  
 Aurora, IL 60502 USA  
**(800) 865-2112**  
**(630) 375-5100**  
**Fax: (800) 359-6500**

**Peerless-AV Europe**  
 Unit 3 Watford Interchange  
 Colonial Way, Watford  
 Herts, WD24 4WP  
 United Kingdom  
**+44 (0) 1923 200100**  
**Fax: +44 (0) 1923 200101**

**Peerless-AV de México**  
 Ave de las Industrias 413  
 Parque Industrial Escobedo  
 Escobedo, N.L.,  
 Mexico 66050  
**+52 (81) 8384-8300**  
**Fax: +52 (81) 8384-8360**

**peerless-AV®**

LIT-1169 rev.5