

## DS-VW765-PQR



Display size  
**42"-65"**



Max load  
**125lb (57kg)**

\*22.25" minimum display height



## SMARTMOUNT.

# Full-Service Video Wall Mount with Quick Release - Portrait

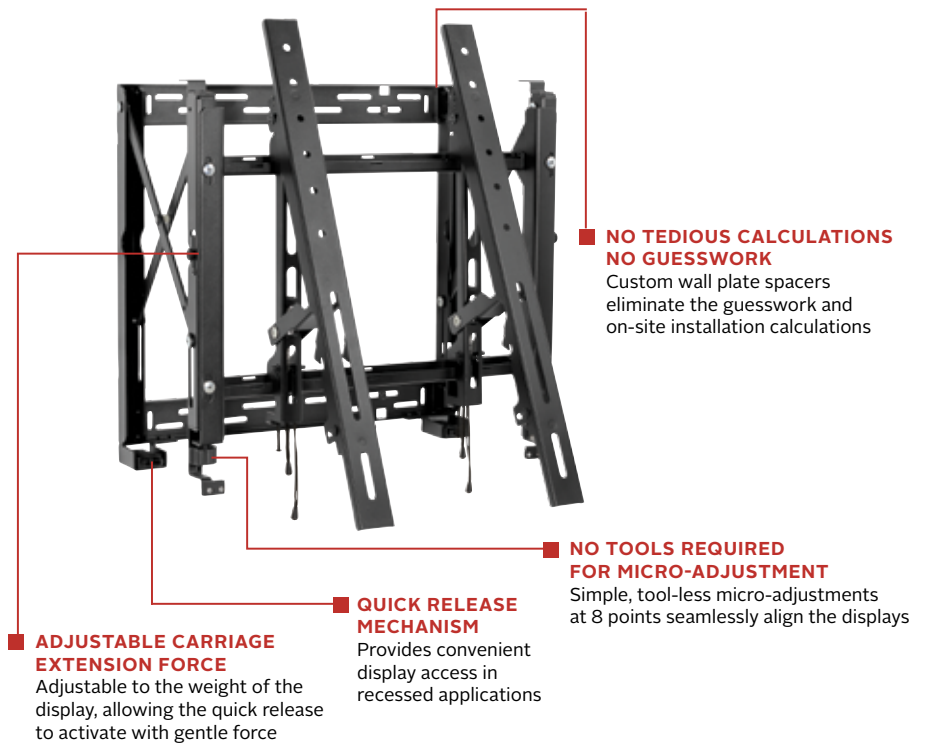
FOR 42"\* TO 65" DISPLAYS

Video walls should be easy to configure, quick to install, and a snap to maintain. The DS-VW765-PQR Full-Service Video Wall Mount with a Quick Release from Peerless-AV is designed for quick service access in recessed video wall applications. It provides versatility demanded by installers. With the quick-release functionality, users have the ability to articulate the display from the wall by gently pressing on the front of the display. The DS-VW765-PQR has a no-tool-required micro-adjustment feature and provides easy-access to any display, creating the ideal video wall. The custom wall plate spacers eliminate guesswork and on-site installation calculations and measurements, reducing installation time and cost. This innovative design, combined with a ready-to-install mount, makes this the fastest video wall installation. Loaded with time saving features, this Full-Service Video Mount is the ultimate video wall mounting solution.

**The DS-VW765-PQR's pop-out mechanism provides easy-access and quick serviceability, so you can achieve a seamless video wall in no time.**

### Additional Features

- ✓ Quick release pop out mechanism provides convenient display access in recessed applications
- ✓ Quick release can be disabled with a locking screw to prevent unintentional pop-outs
- ✓ Carriage extension force can be adjusted to accommodate the weight of the display allowing the quick release to activate with gentle force
- ✓ Modular mount for unlimited video wall display configurations
- ✓ Custom wall plate spacers eliminate the guesswork and on-site installation calculations
- ✓ Tool-less micro-adjustments at 8 points allows the mount to overcome uneven walls to create a seamless video wall display
- ✓ Pull-out/prop-open kickstand provides quick service access
- ✓ Integrated cable management tie-backs make display-to-display cabling simple



Full-service quick release access



Tool-less micro adjustments



Wall plate spacers (sold separately)



Eliminate the guesswork during installation with the Peerless-AV® Video Wall Locator app.



RoHS

Please visit [peerless-av.com/en-us/patents](http://peerless-av.com/en-us/patents) for patent information.

info@peerless-av.com  
peerless-av.com

peerless-AV®

**DS-VW765-PQR** SmartMount® Full Service Video Wall Mount with Quick Release - Portrait for 42"\* to 65" Displays

**Product Specifications**

	DIMENSIONS (W x H x D)	PRODUCT WEIGHT	LOAD CAPACITY	FINISH	AVAILABLE COLORS
<b>DS-VW765-PQR</b>	22.24" x 26.87" x 3.08"-3.83" (565 x 683 x 78-97mm)	28.4lb (12.9kg)	125lb (57kg)	Textured	Black

**Package Specifications**

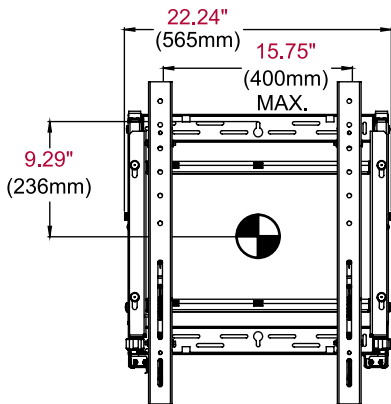
	PACKAGE SIZE (W x H x D)	PACKAGE SHIP WEIGHT	PACKAGE UPC CODE	PACKAGE CONTENTS	UNITS IN PACKAGE
<b>DS-VW765-PQR</b>	28.88" x 28.75" x 3.75" (734 x 730 x 95mm)	33.75lb (15.3kg)	735029300854	Wall mount assembly, mounting attachment rails, fasteners	1

**Accessories**

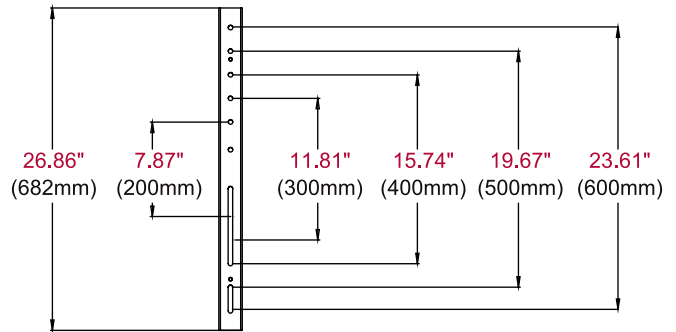
- DS-VVSxxx-P:** Wall Plate Alignment Spacers
- ACC-V800X:** Adaptor accessory for 800 x 400mm mounting patterns
- DS-ACC770:** Media Player Mounting Bracket
- ACC-DHK:** Display handling kit
- ACC-DHP6:** Display handling kit replacement pads - 6pk
- PLP-xxx:** PLP Adaptor Plates

\*22.25" minimum display height

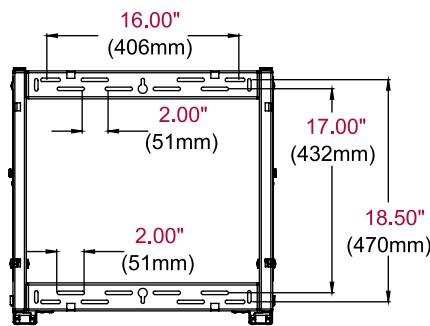
All dimensions = inch (mm)



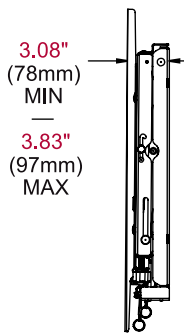
**FRONT VIEW**



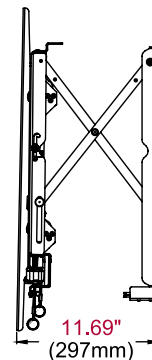
**ADAPTER BRACKET**



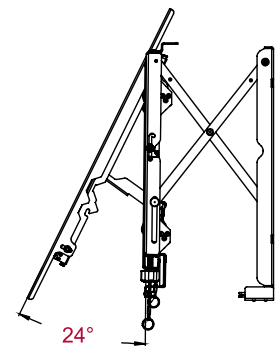
**WALL PLATE**



**SIDE VIEW**



**SIDE VIEW EXTENDED**



**COMPONENT ACCESS**

**Architect Specifications**

The Smartmount® Full-Service Video Wall Mount with Quick Release - Portrait shall be a Peerless-AV model DS-VW765-PQR and shall be located where indicated on the plans. Assembly and installation shall be done according to instructions provided by the manufacturer.

Visit [peerless-av.com](http://peerless-av.com) to see the complete line of AV solutions from Peerless-AV, including outdoor displays, wireless, kiosks, digital audio, display mounts, projector mounts, carts/stands, and a full assortment of accessories.

**Peerless-AV**  
2300 White Oak Circle  
Aurora, IL 60502 USA  
  
**(800) 865-2112**  
**(630) 375-5100**  
**Fax: (800) 359-6500**

**Peerless-AV Europe**  
Unit 3 Watford Interchange  
Colonial Way, Watford  
Herts, WD24 4WP  
United Kingdom  
**+44 (0) 1923 200100**  
**Fax: +44 (0) 1923 200101**

**Peerless-AV de México**  
Ave de las Industrias 413  
Parque Industrial Escobedo  
Escobedo, N.L.,  
Mexico 66050  
**+52 (81) 8384-8300**  
**Fax: +52 (81) 8384-8360**

