

## DS-VW765-LQR



Display size  
**46"-65"**



Max load  
**125lb (56.8kg)**



## SMARTMOUNT.

# Full-Service Video Wall Mount with Quick Release - Landscape

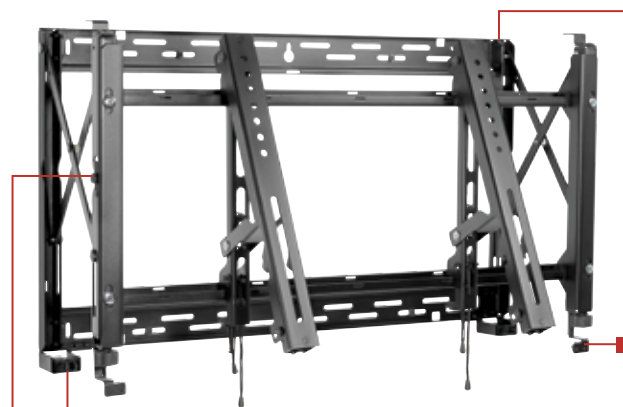
FOR 46" TO 65" DISPLAYS

Video walls should be easy to configure, quick to install, and a snap to maintain. The DS-VW765-LQR Full-Service Video Wall Mount with a Quick Release from Peerless-AV is designed for quick service access in recessed video wall applications. It provides versatility demanded by installers. With the quick-release functionality, users have the ability to articulate the display from the wall by gently pressing on the front of the display. The DS-VW765-LQR has a no-tool-required micro-adjustment feature and provides easy-access to any display, creating the ideal video wall. The custom wall plate spacers eliminate guesswork and on-site installation calculations and measurements, reducing installation time and cost. This innovative design, combined with a ready-to-install mount, makes this the fastest video wall installation. Loaded with time saving features, this Full-Service Video Mount is the ultimate video wall mounting solution.

### Additional Features

- ✓ Quick release pop out mechanism provides convenient display access in recessed applications
- ✓ Quick release can be disabled with a locking screw to prevent unintentional pop-outs
- ✓ Carriage extension force can be adjusted to accommodate the weight of the display, allowing the quick release to activate with gentle force
- ✓ Modular mount for unlimited video wall display configurations
- ✓ Custom wall plate spacers eliminate the guesswork and on-site installation calculations
- ✓ Tool-less micro-adjustments at 8 points allows the mount to overcome uneven walls to create a seamless video wall display
- ✓ Pull-out/prop-open mechanism provides quick service access
- ✓ Integrated cable management tie-backs make display-to-display cabling simple

**The DS-VW765-LQR's pop-out mechanism provides easy-access and quick serviceability, so you can achieve a seamless video wall in no time.**



**NO TEDIOUS CALCULATIONS  
NO GUESSWORK**  
Custom wall plate spacers eliminate the guesswork and on-site installation calculations

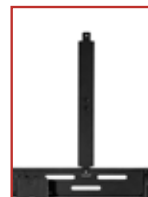
**NO TOOLS REQUIRED  
FOR MICRO-ADJUSTMENT**  
Simple, tool-less micro-adjustments at 8 points seamlessly align the displays

**QUICK RELEASE MECHANISM**  
Provides convenient display access in recessed applications

**ADJUSTABLE CARRIAGE EXTENSION FORCE**  
Adjustable to the weight of the display, allowing the quick release to activate with gentle force



Tool-less micro adjustments



Wall plate spacers (sold separately)



Eliminate the guesswork during installation with the Peerless-AV® Video Wall Locator app.



RoHS

Please visit [peerless-av.com/en-us/patents](http://peerless-av.com/en-us/patents) for patent information.

info@peerless-av.com  
peerless-av.com

peerless-AV®

**DS-VW765-LQR** SmartMount® Full Service Video Wall Mount with Quick Release - Landscape for 46"-65" Displays

**Product Specifications**

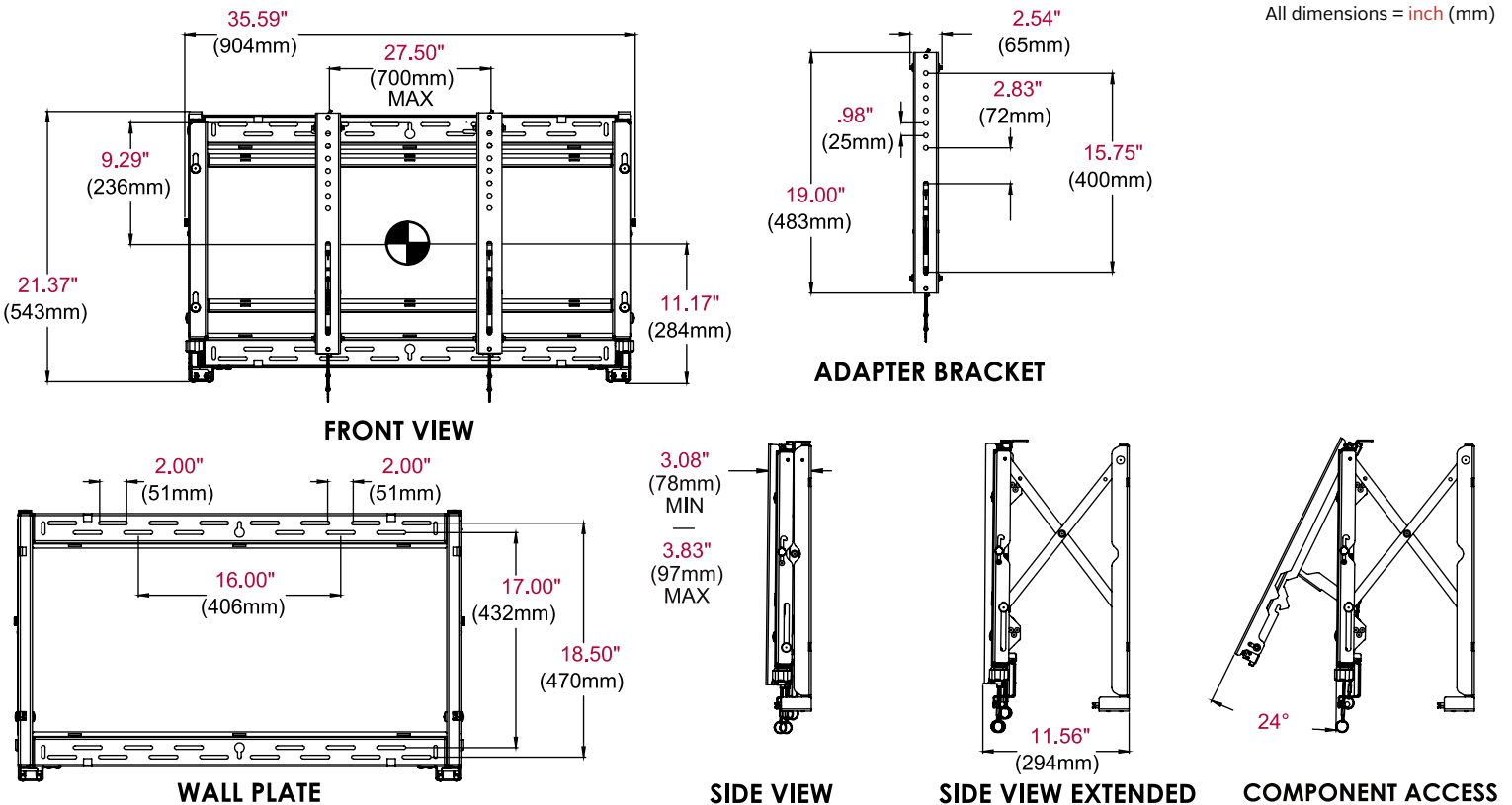
	DIMENSIONS (W x H x D)	PRODUCT WEIGHT	LOAD CAPACITY	FINISH	AVAILABLE COLORS
<b>DS-VW765-LQR</b>	35.59" x 21.37" x 3.08"-3.83" (904 x 543 x 78-97mm)	32.6lb (14.8kg)	125lb (56.8kg)	Textured	Black

**Package Specifications**

	PACKAGE SIZE (W x H x D)	PACKAGE SHIP WEIGHT	PACKAGE UPC CODE	PACKAGE CONTENTS	UNITS IN PACKAGE
<b>DS-VW765-LQR</b>	37.13" x 23.38" x 4.25" (943 x 594 x 108mm)	39lb (17.6kg)	735029300847	Wall mount assembly, mounting attachment rails, fasteners	1

**Accessories**

- DS-VWS###:** Wall Plate Alignment Spacers
- DS-ACC770:** Media Player Mounting Bracket
- ACC-V600800:** Adaptor accessory for 800 x 400mm mounting patterns
- ACC-DHK:** Display handling kit
- ACC-DHP6:** Display handling kit replacement pads - 6pk
- PLP-xxx:** PLP Adaptor Plates



**Architect Specifications**

The Smartmount® Full-Service Video Wall Mount with Quick Release - Landscape shall be a Peerless-AV model DS-VW765-LQR and shall be located where indicated on the plans. Assembly and installation shall be done according to instructions provided by the manufacturer.

Visit [peerless-av.com](http://peerless-av.com) to see the complete line of AV solutions from Peerless-AV, including outdoor displays, wireless, kiosks, digital audio, display mounts, projector mounts, carts/stands, and a full assortment of accessories.

**Peerless-AV**  
 2300 White Oak Circle  
 Aurora, IL 60502 USA  
**(800) 865-2112**  
**(630) 375-5100**  
**Fax: (800) 359-6500**

**Peerless-AV Europe**  
 Unit 3 Watford Interchange  
 Colonial Way, Watford  
 Herts, WD24 4WP  
 United Kingdom  
**+44 (0) 1923 200100**  
**Fax: +44 (0) 1923 200101**

**Peerless-AV de México**  
 Ave de las Industrias 413  
 Parque Industrial Escobedo  
 Escobedo, N.L.,  
 Mexico 66050  
**+52 (81) 8384-8300**  
**Fax: +52 (81) 8384-8360**

