

TVF665



Display size  
**42"-75"**



Max load  
**105lb (48kg)**

tru•vUE™

# Universal Flat Wall Mount

FOR 42" TO 75" DISPLAYS

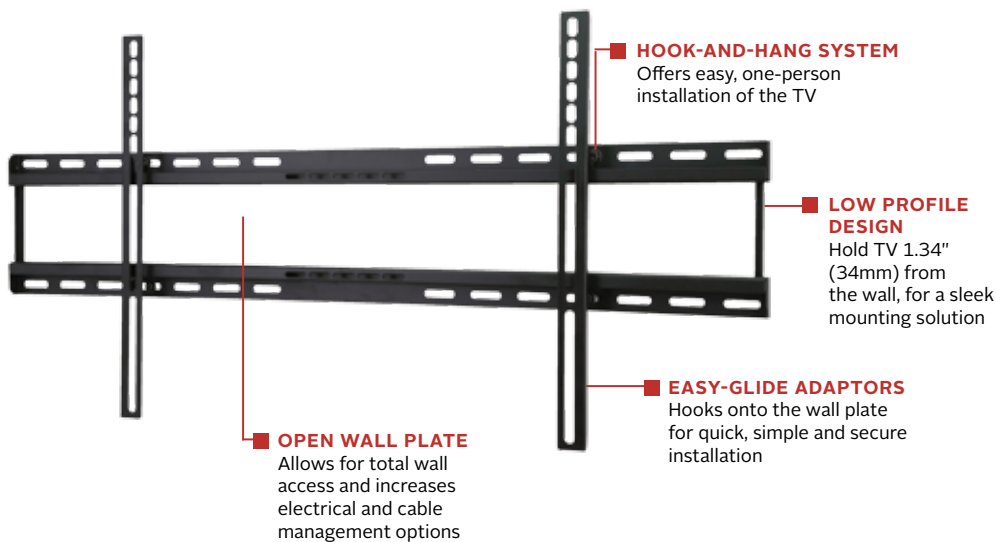
The TruVue™ series wall mounts combine ease of installation with viewing flexibility. With TVF665, a low-profile design positions the TV just 1.34" (34mm) from the wall. The Hook-and-Hang™ system offers easy, one-person installation of the TV. The Easy-Glide™ adaptors hook onto the wall plate for a quick, simple, and secure installation. Achieve perfect positioning of the TV with the side-to-side adjustment after installation.

*The TVF665's low-profile design allows TVs to be placed just 1.34" from the wall, perfect for almost any low-profile application.*



## Additional Features

- ✓ Universal mount fits TVs with mounting patterns up to 828 x 405mm (32.60" W x 15.95" H)
- ✓ Side-to-side adjustment allows for perfect TV positioning
- ✓ Mounts to wood studs, concrete, cinder block or metal studs (metal stud accessory required)
- ✓ Installation hardware included
- ✓ Design is UL listed and tested to four times stated load capacity



<b>TVF665</b>	TruVue™ Universal Flat Wall Mount for 42" to 75" Displays
---------------	---

**Product Specifications**

	DIMENSIONS (W x H x D)	PRODUCT WEIGHT	LOAD CAPACITY	FINISH	AVAILABLE COLORS
<b>TVF665</b>	34.00" x 16.88" x 1.34" (864 x 429 x 34mm)	4.8lb (2.2kg)	105lb (48kg)	Scratch resistant fused epoxy	Matte black

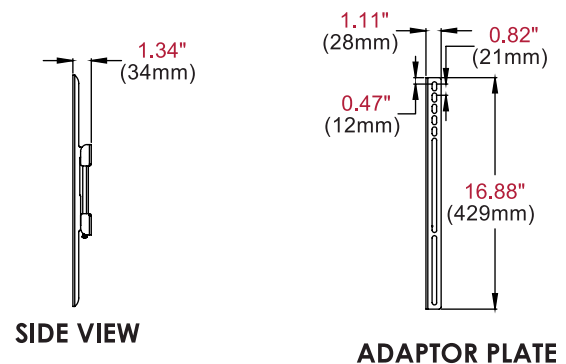
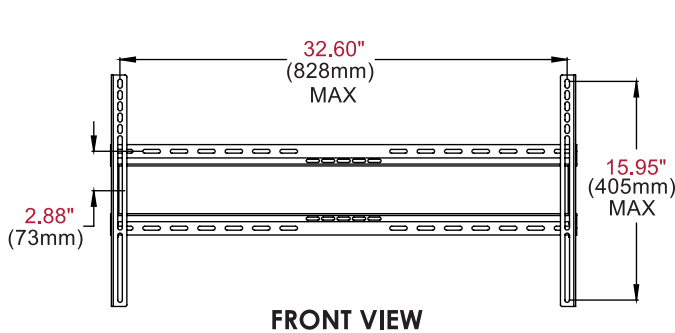
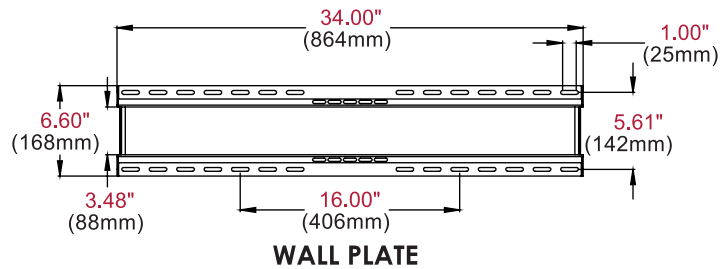
**Package Specifications**

	PACKAGE SIZE (W x H x D)	PACKAGE SHIP WEIGHT	PACKAGE UPC CODE	PACKAGE CONTENTS	UNITS IN PACKAGE
<b>TVF665</b>	35.00" x 7.13" x 1.65" (889 x 181 x 42mm)	6.8lb (3.1kg)	735029293194	Wall plate, universal brackets, mounting and TV attachment hardware, level	1

**Accessories**

- ACC415:** 4-pack Metal Stud Fastener Kit
- ACC925:** Security Fasteners

All dimensions = inch (mm)



**Architect Specifications**

The TruVue™ Universal Flat Wall Mount shall be a Peerless-AV model TVF665 and shall be located where indicated on the plans. Assembly and installation shall be done according to instructions provided by the manufacturer.

Visit [peerless-av.com](http://peerless-av.com) to see the complete line of AV solutions from Peerless-AV, including outdoor displays, wireless, kiosks, digital audio, display mounts, projector mounts, carts/stands, and a full assortment of accessories.

**Peerless-AV**  
2300 White Oak Circle  
Aurora, IL 60502 USA  
  
**(800) 865-2112**  
**(630) 375-5100**  
**Fax: (800) 359-6500**

**Peerless-AV Europe**  
Unit 3 Watford Interchange  
Colonial Way, Watford  
Herts, WD24 4WP  
United Kingdom  
**+44 (0) 1923 200100**  
**Fax: +44 (0) 1923 200101**

**Peerless-AV de México**  
Ave de las Industrias 413  
Parque Industrial Escobedo  
Escobedo, N.L.,  
Mexico 66050  
**+52 (81) 8384-8300**  
**Fax: +52 (81) 8384-8360**

