

DIGITAL
PROJECTOR

W1080ST

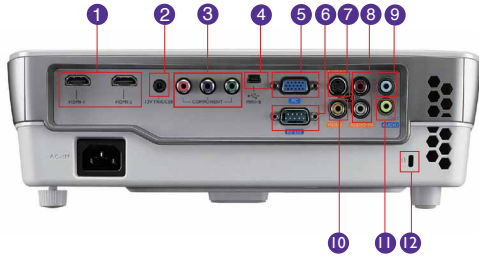


Features

- Native Full HD 1080P (1920x1080) Resolution
- 2,000 ANSI Lumens, 10,000:1 High Contrast Ratio
- Short Throw Lens
- SmartEco™ Power Saving Technology
- Various 3D Format and nVidia 3DTV Play
- REC 709 Color Performance



Input and Output Terminals



- | | |
|-----------------------------|------------------------------|
| 1 HDMI 1 & 2 | 7 S-Video In (Mini DIN 4pin) |
| 2 DC 12V Trigger | 8 Audio In L & R (RCA) |
| 3 Component Video In (RCA) | 9 Audio In (Mini Jack) |
| 4 USB (Mini B) | 10 Component Video in |
| 5 Computer in (D-sub 15pin) | 11 Audio Out (Mini Jack) |
| 6 RS232 (DB-9pin) | 12 Security Bar |

Specifications

Projection System	DLP®
Native Resolution	1080p (1920x1080)
Brightness	2,000 ANSI lumens
Contrast Ratio	10,000:1
Display Color	1.07 Billion Colors
Lens	F= 2.6-2.78, f=10.2-12.24mm
Aspect Ratio	Native 16:9 (5 aspect ratio selectable)
Throw Ratio	0.69-0.83 (65.7" @ 1M)
Image Size (Diagonal)	38"-300"
Zoom Ratio	1.2:1
Lamp Type	240W
Lamp (Normal/Economic Mode)*	3500/5000/6000 hours
Keystone Adjustment	1D, Vertical +/- 40 degrees
Projection Offset	105%±5%
Resolution Support	up to WUXGA
Horizontal Frequency	15K-102KHz
Vertical Scan Rate	23-120Hz
Compatibility	HDTV Compatibility: 480i, 480p, 576i, 576p, 720p, 1080i, 1080p Video Video Compatibility: NTSC, PAL, SECAM
Interface	Computer in (D-sub 15pin) x 1 HDMI x 2 Composite Video in (RCA) x 1 S-Video in (Mini DIN 4pin) x 1 Component Video in x 1 Audio in (Mini Jack) x 1 Audio L/R in (RCA) x 1 Audio out (Mini Jack) x 1 Speaker 10W x 1 USB (Type Mini B) x 1 RS232 (DB-9pin) x 1 DC 12V Trigger x 1
Dimensions (WxHxD)	12.2" x 4.09 x 9.6"
Weight	6.2 lbs
Power Supply	AC100 to 240 V, 50 to 60 Hz
Power Consumption	359W (max), Standby < 0.5W
Audible Noise	33/30 dBA (Normal/Economic mode)
On-Screen Display Languages	Arabic/Bulgarian/ Croatian/ Czech/ Danish/ Dutch/ English/ Finnish/ French/ German/ Greek/ Hindi/ Hungarian/ Italian/ Indonesian/ Japanese/ Korean/ Norwegian/ Polish/ Portuguese/ Romanian/ Russian/ Simplified Chinese/Spanish/ Swedish/ Turkish/ Thai/ Traditional Chinese (28 Languages)
Picture Mode	Dynamic / Standard / Cinema / 3D / User 1 / User 2 / User 3
Accessories (Standard)	Remote Control w/ Battery, Power Cord, User Manual CD, Quick Start Guide, Warranty Card, VGA (D-sub 15pin) Cable, Carry Bag
Accessories (Optional)	Spare Lamp Kit P/N: 5J.J7L05.001 Ceiling Mount P/N: 5J.J4N10.001 3D Glasses P/N: 5J.J7K25.001
Limited Warranty	1 Year Parts/Labor; 180 days or 500 hours of lamp life.

*Lamp life results will vary depending on environmental conditions and usage. Actual product's features and specifications are subject to change without notice.



W1080ST 01-09-13-BQus



BenQ America Corp.
15375 Barranca Parkway, Suite A-205, Irvine, CA 92618 Tel: (949) 255-9500 www.BenQ.us

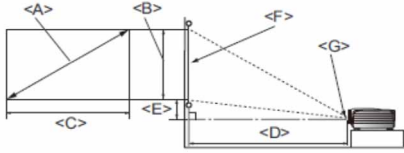
BenQ is a registered trademark of BenQ Corp. DLP is a registered trademark of Texas Instruments. All rights reserved. Product names, logos, brands, and other trademarks featured or referred to in this materials are the property of their respective trademark holders. Specifications subject to change without notice.



WI080ST Digital Projector

Distance Chart

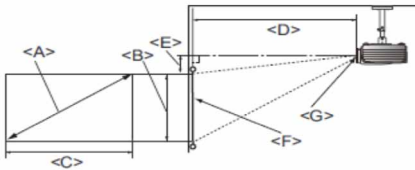
Floor Installation



<F>: Screen

<G>: Center of lens

Ceiling Installation



<F>: Screen

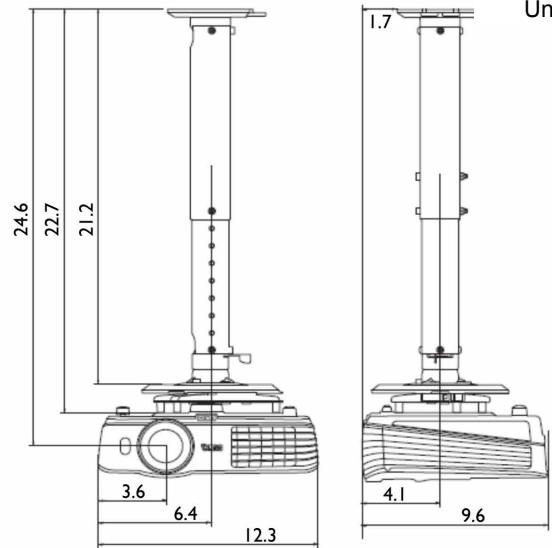
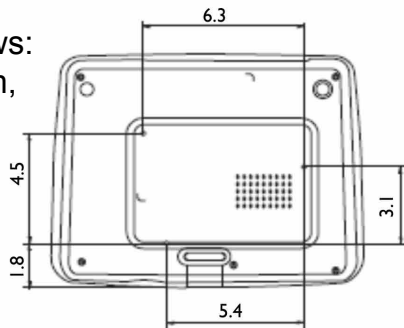
<G>: Center of lens

The screen aspect ratio is 16:9 and the projected picture is 16:9

Screen Dimensions			Projection Distance <D> (inch)			Lowest/Highest lens position <E> (inch)
Diagonal <A>	Height 	Width <C>	Min Distance	Average	Max Distance	
Inch	mm	(inch)	(with max zoom)		(with min zoom)	
30	762	15	26	18	20	.35
40	1016	20	35	24	26	.47
50	1270	25	44	30	33	.62
60	1524	30	52	36	40	.74
70	1778	34	61	42	46	.86
80	2032	39	70	48	53	.98
90	2286	44	78	54	60	1.1
100	2540	49	87	60	66	1.2
110	2794	54	96	66	73	1.3
120	3048	59	104	72	80	1.4
130	3302	64	113	78	86	1.6
140	3556	68	122	84	92	1.7
150	3810	74	130	90	98	1.8
160	4064	78	140	96	105	1.9
170	4318	83	148	101	112	2.1
180	4572	88	157	108	119	2.2
190	4826	93	165	114	125	2.3
200	5080	98	174	120	132	2.4
250	6350	122	218	150	164	3.1
300	7620	147	261	180	198	3.7

Ceiling Mount Chart

Ceiling Mount Screws:
M4 (Max. L = 25 mm,
Min. L = 20 mm)



Units: inch

Dimensions



Units: inch

