

# DIGITAL PROJECTOR | MX720

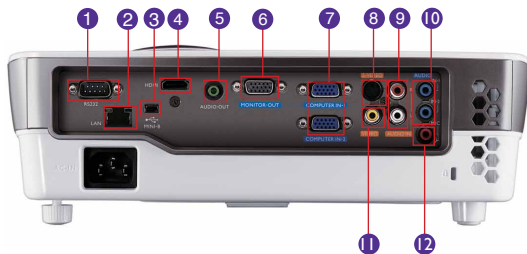


## Features

- Native XGA (1024 x 768) Resolution
- 3,500 ANSI Lumens, 13,000:1 Contrast Ratio
- Up to 6,000 Hours Long Lamp Life
- SmartEco™ Power Saving Technology
- LAN control and LAN display function



## Input and Output Terminals



- |                             |                                   |
|-----------------------------|-----------------------------------|
| 1 RS232 (DB-9pin)           | 7 Computer In 1 & 2 (D-sub 15pin) |
| 2 LAN (RJ45)                | 8 S-Video In (Mini DIN 4pin)      |
| 3 USB (Type Mini B)         | 9 Audio In L/R (RCA)              |
| 4 HDMI                      | 10 Audio In (Mini Jack)           |
| 5 Audio Out (Mini Jack)     | 11 Composite Video In (RCA)       |
| 6 Monitor Out (D-sub 15pin) | 12 Microphone in                  |

## Specifications

Projection System	DLP®	
Native Resolution	XGA(1024x768 )	
Brightness	3,500AL	
Contrast Ratio	13,000:1	
Display Color	1.07 Billion Colors	
Lens	F2.54~2.73, f=18.18~21.84	
Aspect Ratio	Native 4:3 (5 aspect ratio selectable)	
Throw Ratio	1.64-1.97(60" @ 2m)	
Image Size (Diagonal)	37"- 300"	
Zoom Ratio	1.2:1	
Lamp Type	240W	
Lamp Life	3500/5000/6000 hours (Normal/Eco/SmartEco)	
Keystone Adjustment		
Projection Offset	1D, Vertical +/- 40 degrees	
Resolution Support	110%±5%	
Horizontal Frequency	VGA(640 x 480) to UXGA(1600 x 1200)	
Vertical Scan Rate	15-102KHz	
Compatibility	23-120Hz	
Interface	HDTV Compatibility: 480i, 480p, 576i, 576p, 720p, 1080i, 1080p	
	Video Compatibility: NTSC, PAL, SECAM	
	Computer in (D-sub 15pin)	x 2(Share with component)
	Monitor out (D-sub 15pin)	x 1
	Composite Video in (RCA)	x 1
	S-Video in (Mini DIN 4pin)	x 1
	HDMI	x 1
	Audio in (Mini Jack)	x 2
	Audio in (L/R)	x 1
	Audio out (Mini Jack)	x 1
Microphone in (Mini Jack)	x 1	
Speaker	10W x 1	
USB (Type mini B)	x1 (Download & page/down)	
RJ45	x 1 (LAN Control & LAN Display)	
RS232 (DB-9pin)	x 1	
IR Receiver	x 2 (Front + Rear)	
Dimensions (WxHxD)	12.24" x 4.09" x 9.6"	
Weight	6.41 lbs (2.9 kgs)	
Power Supply	AC100 to 240V, 3.5A, 50 to 60 Hz	
Power Consumption	375W(Max), Standby<0.5W	
Audible Noise	33/30 dBA (Normal/Economic mode)	
On-Screen Display Languages	Arabic/Bulgarian/ Croatian/ Czech/ Danish/ Dutch/ English/ Finnish/ French/ German/ Greek/ Hindi/ Hungarian/ Italian/ Indonesian/ Japanese/ Korean/ Norwegian/ Polish/ Portuguese/ Romanian/ Russian/ Simplified Chinese/Spanish/ Swedish/ Turkish/ Thai/ Traditional Chinese (28 Languages)	
Picture Modes	Dynamic/Presentation/sRGB/Cinema/User 1/User 2	
Accessories (Standard)	Lens Cover, Remote Control w/ Battery, Power Cord, User Manual CD, Quick Start Guide, Warranty Card, Carry bag, VGA(D-sub 15pin) Cable	
Accessories (Optional)	Spare Lamp Kit	5J.J6E05.001
	Ceiling Mount	5J.J4N10.001
	3D glasses	5J.J7K25.001
	Case	5J.J3T09.001
UPC Code	8400460-2497-0	
Limited Warranty	3-Years Parts & Labor / 1-Year or 2000 hours of lamp life	

\*Lamp life results will vary depending on environmental conditions and usage. Actual product's features and specifications are subject to change without notice.



MX720 02-06-13-BQus



BenQ America Corp.  
15375 Barranca Parkway, Suite A-205, Irvine, CA 92618 ☎ Tel: (949) 255-9500 🌐 www.BenQ.us

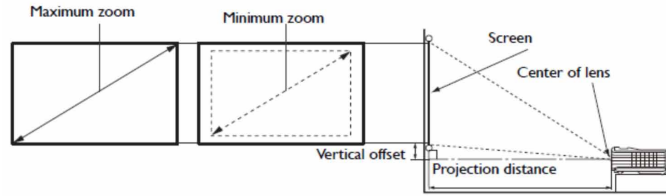
BenQ is a registered trademark of BenQ Corp. DLP is a registered trademark of Texas Instruments. All rights reserved.  
Product names, logos, brands, and other trademarks featured or referred to in this materials are the property of their respective trademark holders.  
Specifications subject to change without notice.



# MX720 Digital Projector

## Distance Chart

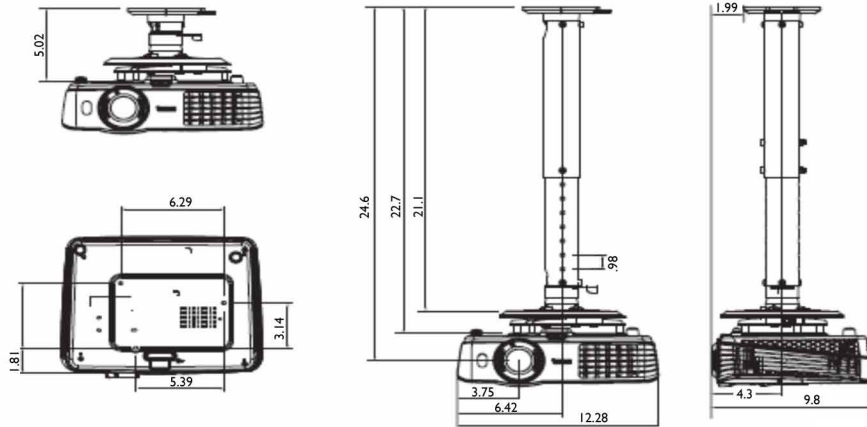
The screen aspect ratio is 4:3 and the projected picture is 4:3



Screen Size				Distance from screen (in)			Vertical offset (in)
Diagonal		W (in)	H (in)	Min length (Max zoom)	Average	Min length (Max zoom)	
Inch	mm						
40	1016	24	32	52.4	57.7	62.9	1.18
50	1270	30	40	65.6	72.1	78.7	1.49
60	1524	36	48	78.7	86.6	94.4	1.81
70	1778	42	56	91.8	101.0	110.2	2.08
80	2032	48	64	105	115.4	125.9	2.40
90	2286	54	72	118.1	129.9	141.7	2.71
100	2540	60	80	131.2	144.3	157.4	2.99
120	3048	72	96	157.4	173.2	188.9	3.58
150	3810	90	120	196.8	216.5	236.2	4.48
200	5080	120	160	262.4	288.7	314.9	5.98
250	6350	150	200	328.0	360.9	393.7	7.51
300	7620	180	240	393.7	433.0	472.4	9.01

## Wall Mount Chart

Ceiling Mount screw: M4  
(Max L = 25 mm; Min L = 20 mm)



Unit: inch

## Dimensions

