



LX60ST Digital Projector

Highlights

- Designed for Education
- No Mercury Light Source
- Easy Installation & Control



Projection System	DLP
Native Resolution	XGA(1024 x 768)
Brightness	2000 ANSI lumens
Contrast Ratio	80000:1
Display Color	1.07 Billion
Lens	F=2.59
Aspect Ratio	Native 4:3 (5 aspect ratio selectable)
Throw Ratio	0.6 (81"±3% @ 1m)
Image Size (Diagonal)	80"~300"
Zoom Ratio	Fixed
Light Source	Laser Diode
Light Source Life (Normal/Economic)	10000/20000 hrs (Normal/Eco)
Keystone Adjustment	1D, Vertical +/- 30 degrees (Auto/Manual)
Projection Offset	130%
Resolution Support	VGA(640 x 480) to UXGA(1600 x 1200)
Horizontal Frequency	31K~102KHz
Vertical Scan Rate	23~120Hz
Compatibility	HDTV Compatibility Video Compatibility

480i, 480p, 576i, 576p, 720p, 1080i, 1080p
NTSC, PAL, SECAM

PC:
120Hz Frame Sequential 3D for resolutions up to WXGA
60Hz Top-bottom 3D for resolutions up to SXGA+
60Hz Frame Sequential 3D resolutions up to WXGA

Video:
60Hz Frame Sequential 3D for resolutions up to 480i

3D Compatibility

Interface	Computer in (D-sub 15pin)	x 2 (shared with Component video)
	Monitor out (D-sub 15pin)	x 1
	Composite Video in (RCA)	x 1
	S-Video in (Mini DIN 4pin)	x 1
	Audio in (Mini Jack)	x 2
	Audio L/R in (RCA)	x 2
	Audio out (Mini Jack)	x 1
	Microphone in (Mini Jack)	x 1
	Speaker	10W x 2
	HDMI V1.3	x 1
	LAN (RJ45)	x 1 (LAN Control & LAN Display)
	USB (Type A)	x 2 (USB Reader&Keyboard/Mouse&Wireless Dongle)
	USB (Type Mini B)	x 1 (USB Display & Download & Page up/down)
	DC 12V Trigger (3.5mm Jack)	x 1
	RS232 (DB-9pin)	x 1

Dimensions	Dimensions(W x H x D)	393.5 x 149.6 x 298 mm (include adjustment footer)
	Weight	5,1kg

Power	Power Supply	100 to 240 VAC, 50 to 60 Hz
	Power Consumption	270W(Max), Standby<0.5W

Audible Noise	33/32 (Normal/Eco)
----------------------	--------------------

On-Screen Display Languages	Arabic/ Bulgarian/ Croatian/ Czech/ Danish/ Dutch/ English/ Finnish/ French/ German/ Greek/ Hindi/ Hungarian/ Italian/ Indonesian/ Japanese/ Korean/ Norwegian/ Polish/ Portuguese/ Romanian/ Russian/ Simplified Chinese/Spanish/ Swedish/ Turkish/ Thai/ Traditional Chinese (28 Languages)
------------------------------------	---

Picture Modes	Dynamic/Presentation/sRGB/Cinema/User 1/User 2
----------------------	--

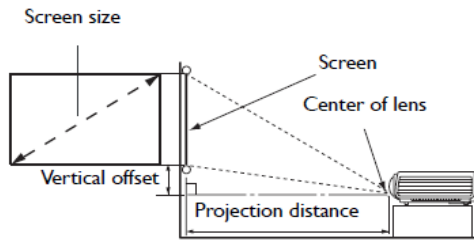
Accessories	Standard	Optional	
	Remote Control w/ Battery	Presentation Plus	P/N: 65J9306.002
	Power Cord (by region)	Spare Lamp Kit	P/N: 5J4N05.001
	User Manual CD	Wireless USB Dongle	P/N: 5JJ0614.A21*
	Quick Start Guide	3D Glasses	P/N: 5JJ0T14.011
	Warranty Card (by region)	Carry Bag	
	VGA(D-sub 15pin) Cable		

*Lamp life results will vary depending on environmental conditions and usage. Actual product's features and specifications are subject to change without notice.

*Each region has different wireless dongle P/N, please check PM-BM file for detail.

LX60ST Digital Projector

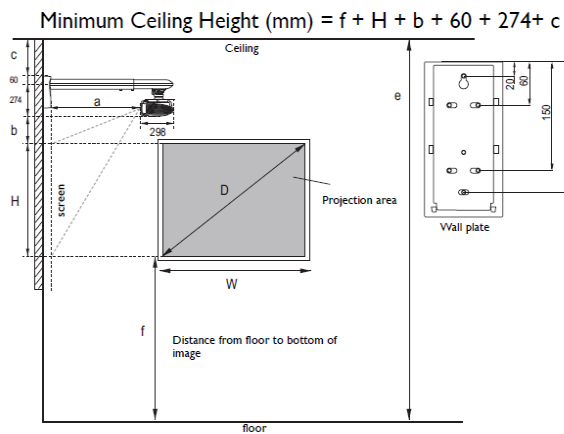
Distance Chart



Screen size				Distance from screen (mm)	Vertical offset (mm)
Diagonal	W	H			
Inch	mm	(mm)	(mm)		
80	2032	1626	1219	988	183
100	2540	2032	1524	1235	229
120	3048	2438	1829	1481	274
150	3810	3048	2286	1852	343
180	4572	3658	2743	2222	411
200	5080	4064	3048	2469	457
220	5588	4470	3353	2716	503
240	6096	4877	3658	2963	549
270	6858	5486	4115	3333	617
300	7620	6096	4572	3704	686

Wall mount/Ceiling mount Chart

Computer Resolution: XGA Image Resolution: XGA	Diagram Reference	SMART Board 660	SMART Board 680	Promethean ActiBoard 164	Promethean ActiBoard 178	RM ClassBoard2 77.5	Hitachi StarBoard FX-63	StarBoard FX-77
Image Diagonal (inches)	D	64	77	64	78	77.5	63	77
Image Height (mm)	H	975	1173	975	1189	1881	960	1173
Image Width (mm)	W	1300	1565	1300	1585	1575	1280	1565
Distance from floor to bottom of image (mm)	f	900	900	900	900	900	900	900
Distance from screen surface to projector lens (mm)	a	790	951	790	963	957	778	951
Distance from top case to the top of image (mm)	b	78.6	108.6	78.6	110.6	109.6	76.6	108.6
Distance from top of wall mount to ceiling (mm)	c	50	50	50	50	50	50	50
Minimum Ceiling Height (mm)	e	2337.6	2565.6	2337.6	2583.6	3274.6	2320.6	2565.6



Dimension

